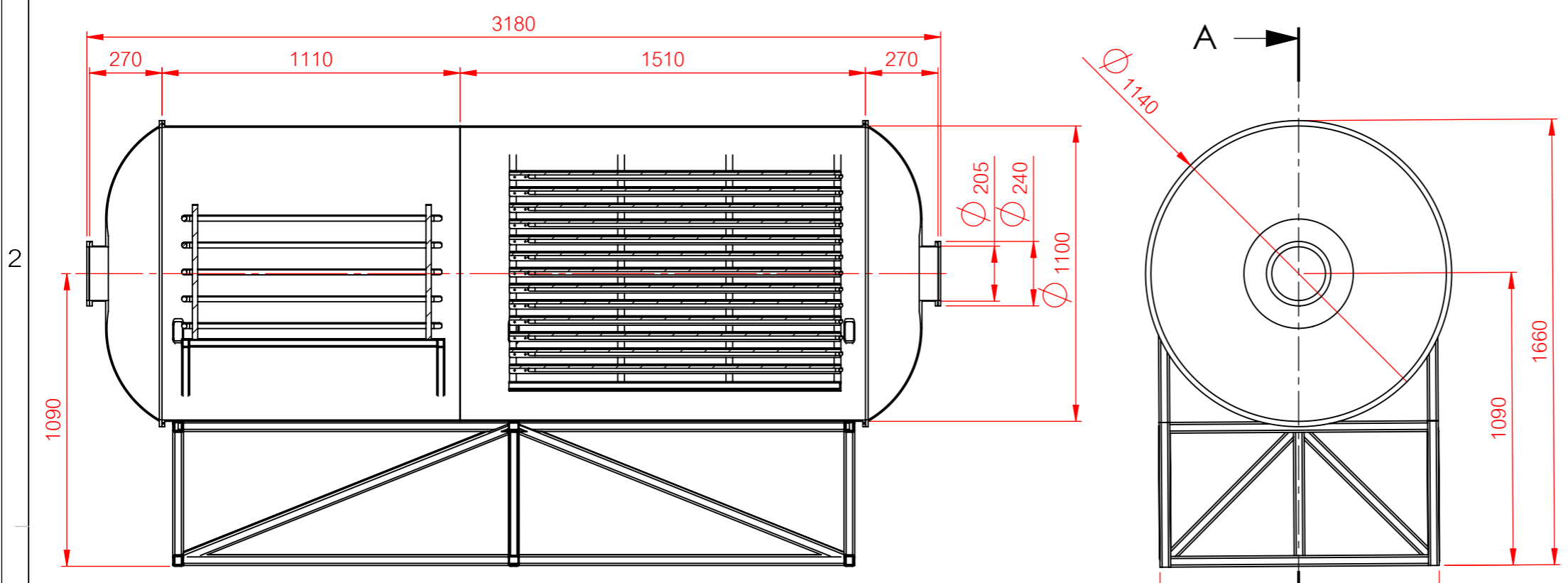
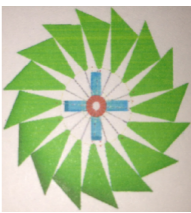
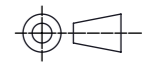


Top View



SECTION A-A
SCALE 1 : 20

Sild View

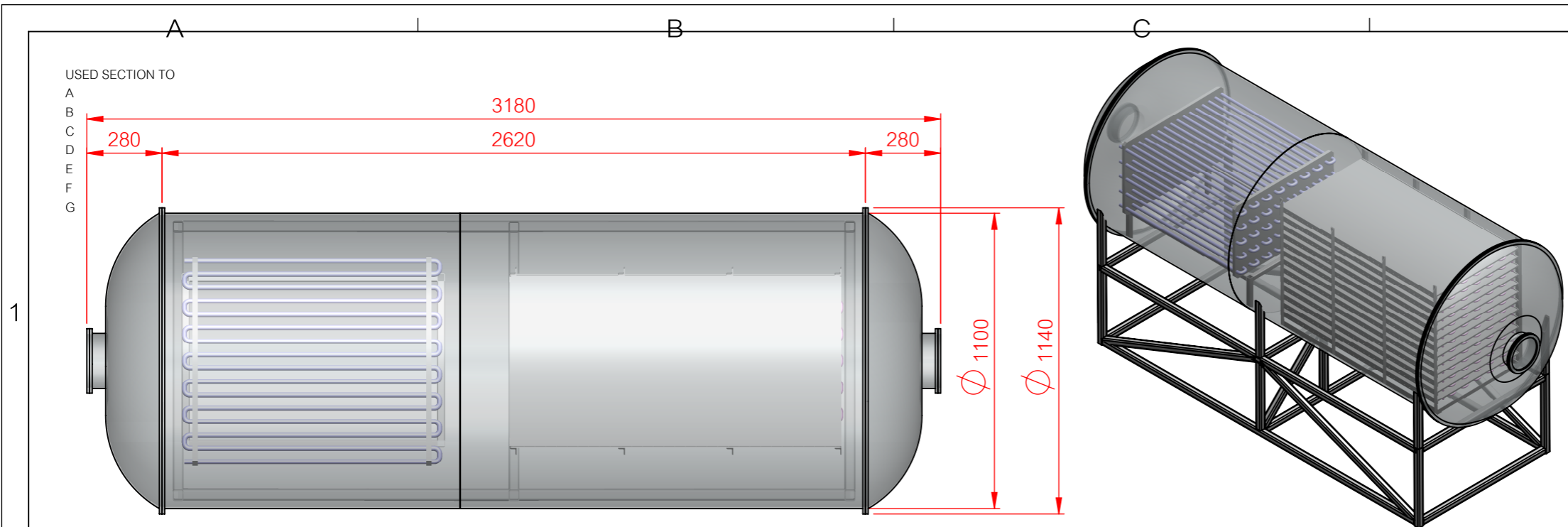
SYMBOL USED	PART NO: FD-001-2016			
	REVISION RECORD	ECN./DIN. NO	ISSUE BY	APPV BY
	△00	-	-	-
	△01	-	-	-
	△02	-	-	-
	△03	-	-	-
	△04	-	-	-
	△05	-	-	-
	△06	-	-	-
△07	-	-	-	
△08	-	-	-	
DWG.BY: S.Anonn		Date : 22/5/2559		
CHK.BY:		Date :		
APPV.BY:		Date :		
FINISHED:		QUANTITY: 1		
MASS.DESIGN		<input type="checkbox"/> PROTOTYPE <input checked="" type="checkbox"/> VOL.PRODN		
FIRST MODEL: Freeze Dried		MATERIAL: Stainless Steel		
 NOBEL TECHNOLOGY AND CONSTRUCTION CO.,LTD 111/1 Moo 7 Tambon Lam Pho Amphoe Bang Bua Thong Nonthaburi 11110				
TITLE: Assembly_FD150				
MODEL: Freeze Dried 150 kg.		GROUP: _	DIM: mm.	
POSITION OF FIXING				
DRAWING NO: FD-001-2016				
SHEET NO: 1 OF SHEET 1		SCALE: 1 : 20		
SYMBOL OF GEOMETRICAL TOLERANCE		GENERAL TOLERANCES	A3 SIZE 297x420	
— = STRAIGHTNESS ▭ = FLATNESS ○ = CIRCULARITY ⊥ = PERPENDICULARITY ∠ = ANGULARITY // = PARALLELISM		(H) = CYLINDRICITY (L) = PROFILE OF LINE (K) = PROFILE OF SURFACE ⊕ = POSITIONAL ⊙ = COAXIALITY ≡ = SYMMETRY	 THIRD ANGLE PROJECTION	

FILE NAME: C:\Users\RDS33\Desktop\nobel\Freeze Dried\2.Freeze Dried 150\

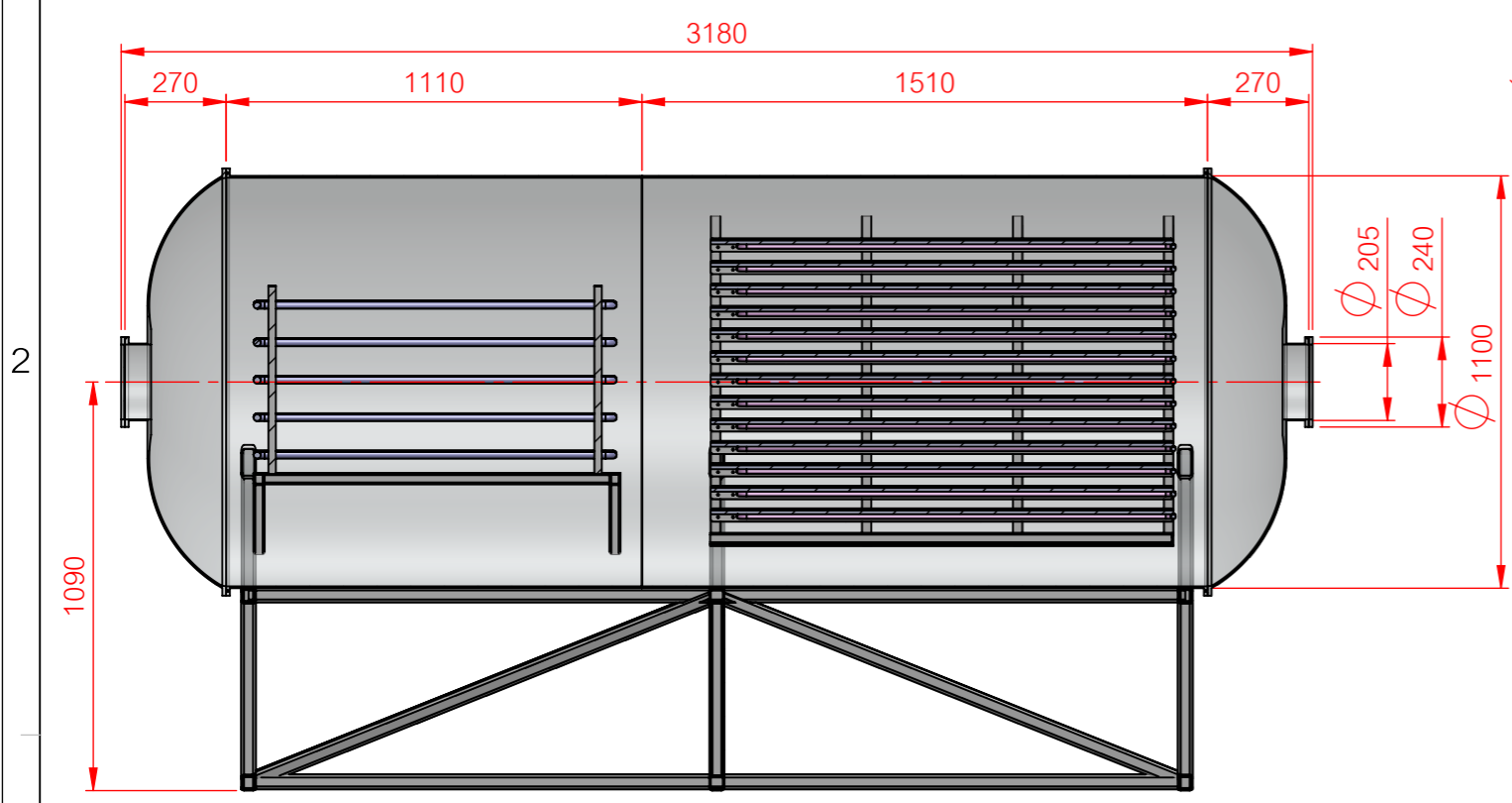
Doc.No: Nobel-001

Rev.No: 00

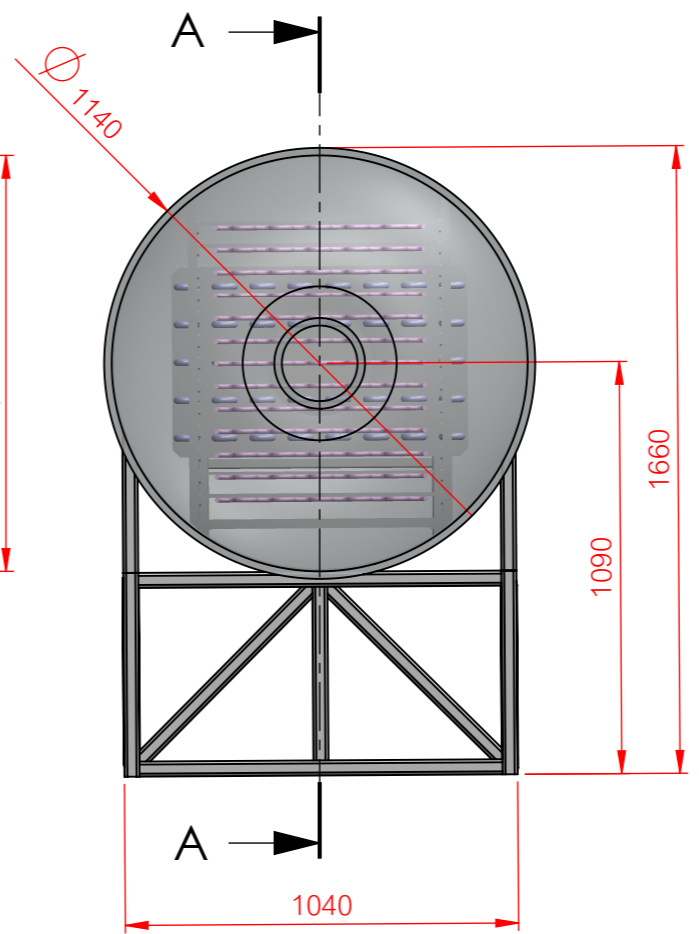
EFT. DATE: 21-2-15



Top View



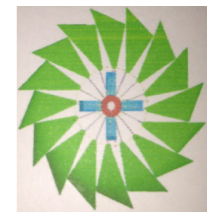
SECTION A-A
SCALE 1 : 20



Sild View

SYMBOL USED	PART NO: FD-001-2016			
	REVISION RECORD	ECN./DIN. NO	ISSUE BY	APPV BY
△00	-	-	-	
△01	-	-	-	
△02	-	-	-	
△03	-	-	-	
△04	-	-	-	
△05	-	-	-	
△06	-	-	-	
△07	-	-	-	
△08	-	-	-	

DWG.BY: S.Arnon	Date : 22/5/2559
CHK.BY:	Date :
APPV.BY:	Date :
FINISHED:	QUANTITY: 1
MASS.DESIGN	<input type="checkbox"/> PROTOTYPE <input checked="" type="checkbox"/> VOL.PRODN
FIRST MODEL: Freeze Dried	MATERIAL: Stainless Steel



NOBEL TECHNOLOGY AND CONSTRUCTION CO.,LTD
111/1 Moo 7 Tambon Lam Pho
Amphoe Bang Bua Thong
Nonthaburi 11110

TITLE: Assembly_FD150		
MODEL: Freeze Dried 150 kg.	GROUP: _	DIM: mm.
POSITION OF FIXING		

DRAWING NO: FD-001-2016	
SHEET NO: 1 OF SHEET 1	SCALE: 1 : 20

SYMBOL OF GEOMETRICAL TOLERANCE	⊂ = STRAIGHTNESS ⊄ = FLATNESS ⊙ = CIRCULARITY ⊚ = PERPENDICULARITY ⊛ = ANGULARITY ⊜ = PARALLELISM ⊖ = CYLINDRICITY ⊗ = PROFILE OF LINE ⊘ = PROFILE OF SURFACE ⊕ = POSITIONAL ⊖ = COAXIALITY ⊗ = SYMMETRY	GENERAL TOLERANCES (H) (K) (L)	A3 SIZE 297x420
---------------------------------	---	---	-------------------------------

FILE NAME: C:\Users\RDS33\Desktop\nobel\Freeze Dried\2.Freeze Dried 150\