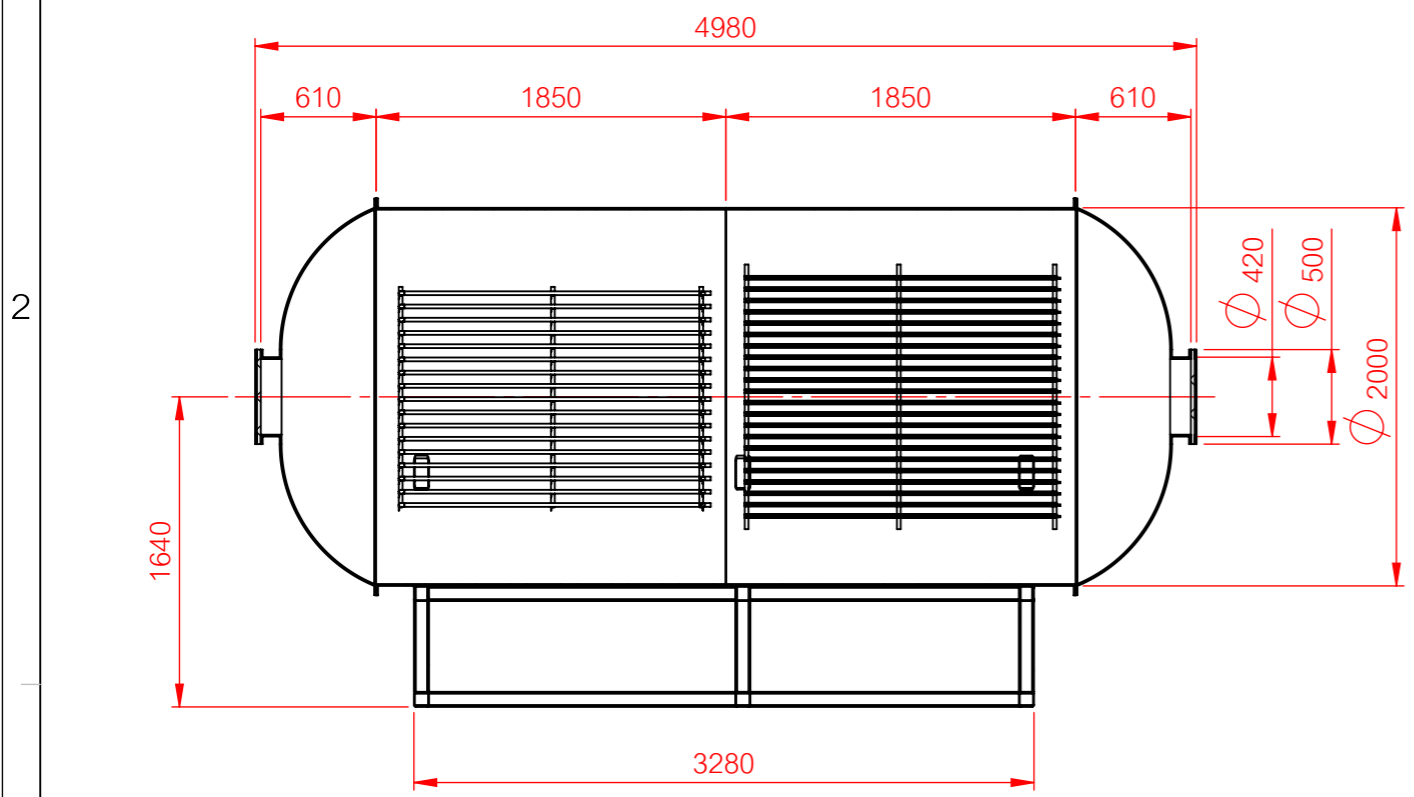
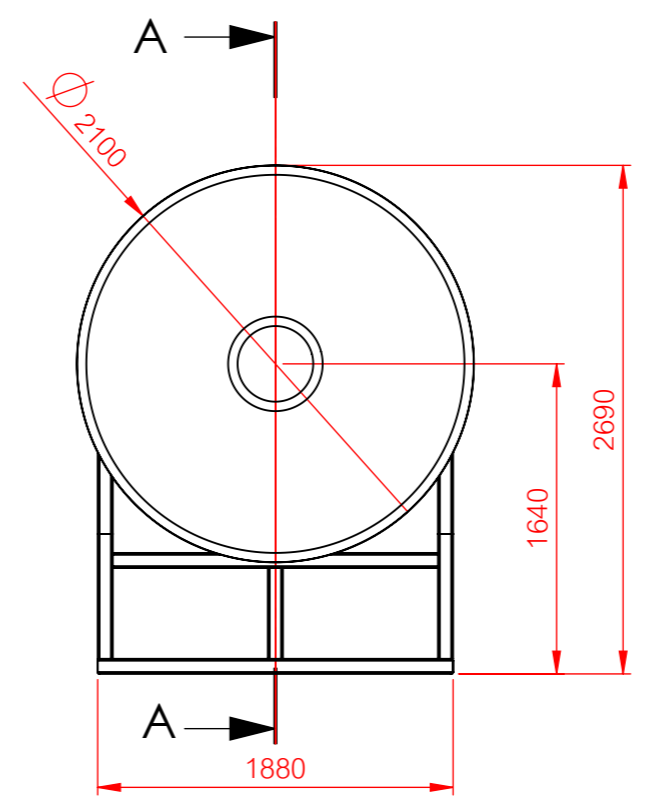


Top View



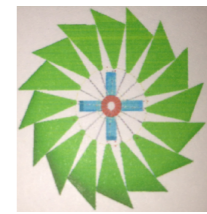
SECTION A-A  
SCALE 1 : 40



Sild View

SYMBOL USED	PART NO:			
	REVISION RECORD	ECN./DIN. NO	ISSUE BY	APPV BY
△00	-	-	-	
△01	-	-	-	
△02	-	-	-	
△03	-	-	-	
△04	-	-	-	
△05	-	-	-	
△06	-	-	-	
△07	-	-	-	
△08	-	-	-	

DWG.BY: S.Anonn	Date : 22/5/2559
CHK.BY:	Date :
APPV.BY:	Date :
FINISHED:	QUANTITY:
MASS.DESIGN	<input type="checkbox"/> PROTOTYPE <input checked="" type="checkbox"/> VOL.PRODN
FIRST MODEL: Freeze Dried	MATERIAL:



**NOBEL TECHNOLOGY AND CONSTRUCTION CO.,LTD**  
111/1 Moo 7 Tambon Lam Pho  
Amphoe Bang Bua Thong  
Nonthaburi 11110

TITLE: <b>Assembly_FD600</b>		
MODEL: Freeze Dried 600 kg	GROUP: _	DIM: mm.
POSITION OF FIXING		

DRAWING NO:	
SHEET NO: 1 OF SHEET 1	SCALE: 1 : 40

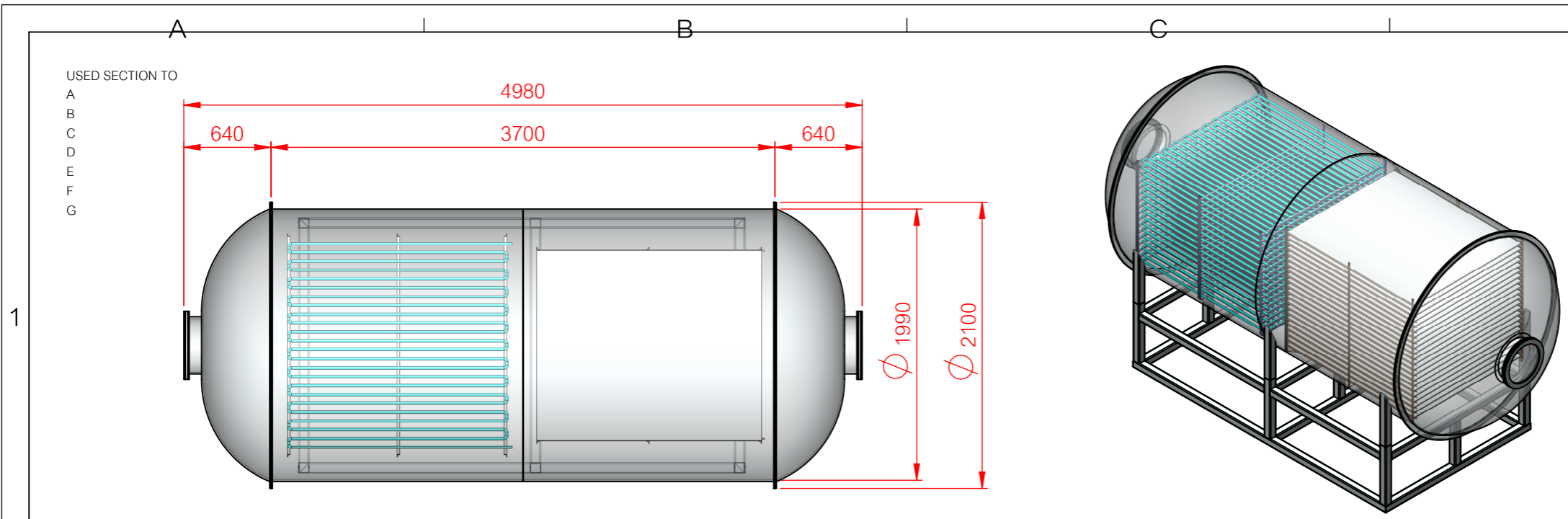
SYMBOL OF GEOMETRICAL TOLERANCE	⊂ = STRAIGHTNESS ⊄ = FLATNESS ⊙ = CIRCULARITY ⊚ = PROFILE OF LINE ⊛ = PROFILE OF SURFACE ⊥ = PERPENDICULARITY ∠ = ANGULARITY ⊕ = COAXIALITY ∥ = PARALLELISM ⊂ = CYLINDRICITY ⊃ = PROFILE OF LINE ⊛ = PROFILE OF SURFACE ⊕ = POSITIONAL ⊕ = COAXIALITY ∥ = SYMMETRY	GENERAL TOLERANCES (H) (K) (L)	<b>A3</b> SIZE 297x420  <small>THIRD ANGLE PROJECTION</small>
---------------------------------	--	---	--

FILE NAME: C:\Users\IRDS33\Desktop\nobel\Freeze Dried\3.Freeze Dried 600\

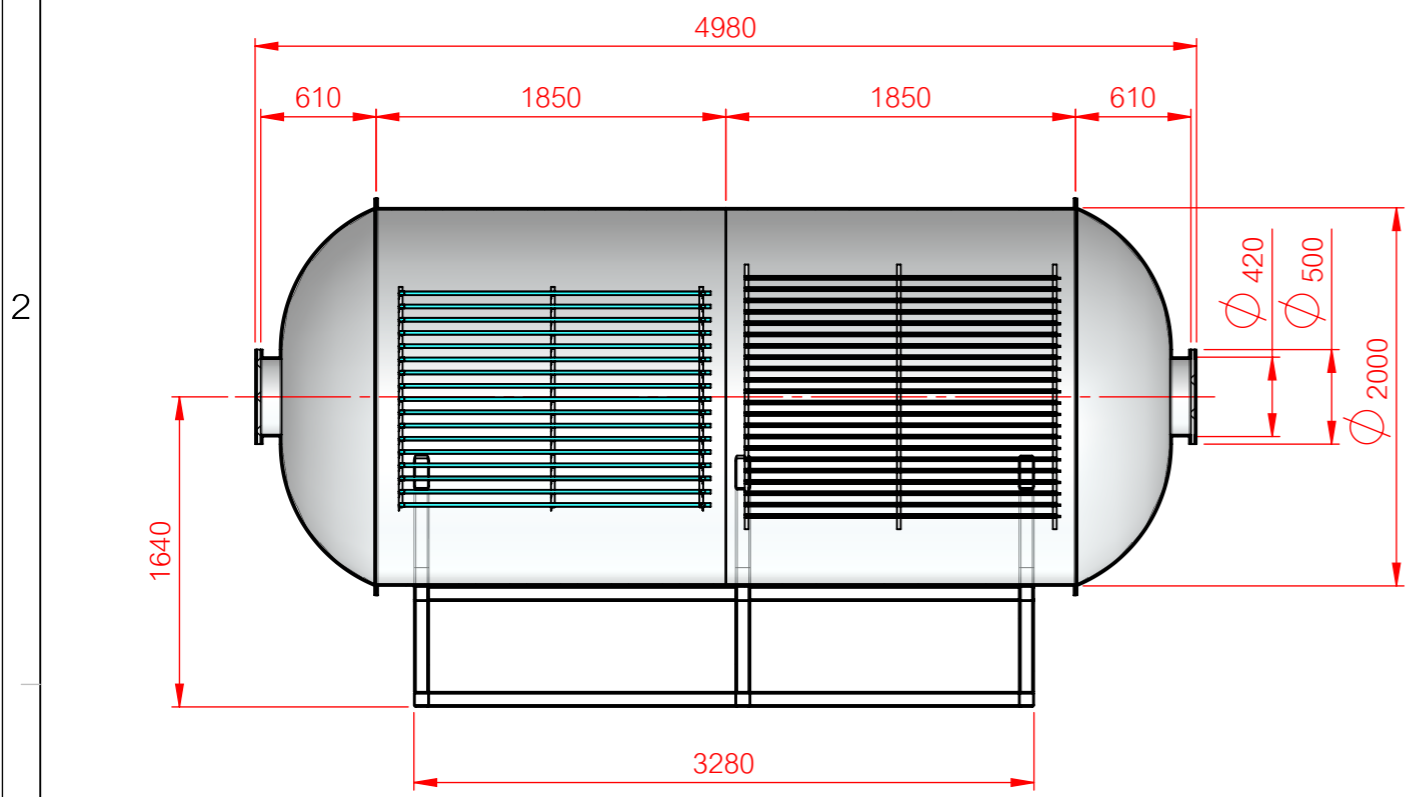
Doc.No: Nobel-001

Rev.No: 00

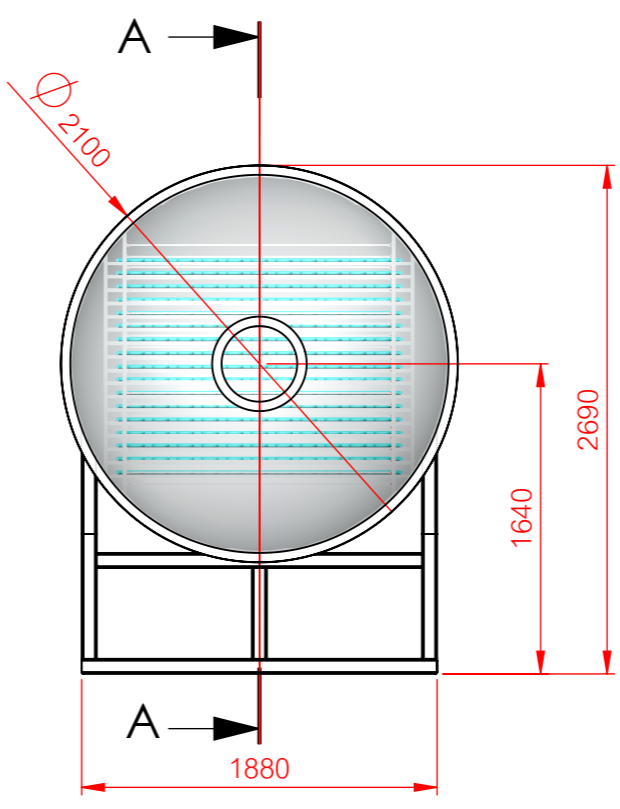
EFT. DATE: 21-2-15



Top View



SECTION A-A  
SCALE 1 : 40



Side View

SYMBOL USED	PART NO:			
	REVISION RECORD	ECN./DIN. NO	ISSUE BY	APPV BY
△00	-	-	-	
△01	-	-	-	
△02	-	-	-	
△03	-	-	-	
△04	-	-	-	
△05	-	-	-	
△06	-	-	-	
△07	-	-	-	
△08	-	-	-	

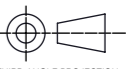
DWG.BY: S.Arnon	Date : 22/5/2559
CHK.BY:	Date :
APPV.BY:	Date :
FINISHED:	QUANTITY:
MASS.DESIGN	<input type="checkbox"/> PROTOTYPE <input checked="" type="checkbox"/> VOL.PRODN
FIRST MODEL: Freeze Dried	MATERIAL:



**NOBEL TECHNOLOGY AND CONSTRUCTION CO.,LTD**  
111/1 Moo 7 Tambon Lam Pho  
Amphoe Bang Bua Thong  
Nonthaburi 11110

TITLE: <b>Assembly_FD600</b>		
MODEL: Freeze Dried 600 kg	GROUP: _	DIM: mm.
POSITION OF FIXING		

DRAWING NO:	
SHEET NO: 1 OF SHEET 1	SCALE: 1 : 40

SYMBOL OF GEOMETRICAL TOLERANCE	⊂ = STRAIGHTNESS ⊄ = FLATNESS ⊙ = CIRCULARITY ⊚ = PROFILE OF SURFACE ⊥ = PERPENDICULARITY ∠ = ANGULARITY ∥ = PARALLELISM	⊂ = CYLINDRICITY ⊃ = PROFILE OF LINE ⊚ = PROFILE OF SURFACE ⊕ = POSITIONAL ⊗ = COAXIALITY ⊞ = SYMMETRY	GENERAL TOLERANCES (H) (K) (L)	<b>A3</b> SIZE 297x420  <small>THIRD ANGLE PROJECTION</small>
---------------------------------	--	---	---	---

FILE NAME: C:\Users\RDS33\Desktop\nobel\Freeze Dried\3.Freeze Dried 600\

3

1

2